



The All-In-One video measuring microscope

- Ergonomic concept
- Compact design
- Easy to use
- Latest vision technology
- Measuring software OMS

The principal ergonomic orientated design of the video measuring microscope **VMS ergo** assures concentrated fatigue-proof operation. All operating devices are easy to reach.

Also the high quality from UHL is well known.

The microscope can be installed on a normal desk with a few steps. Only the main power cord, the keyboard and the mouse must be connected. All components are integrated in the base.

The resolution of the hand driven xy-stage with linear scales is 1 μm (optional 0,1 μm). Stage movement is done by the unique coarse and fine adjustment.

Telecentrical measuring objectives guarantee a high quality, plane and distortionless image (turret with micro optics attachment optional).

The latest vision technology is used. This makes a digital zoom function possible (3.35x - no remagnification, real pixel resolution).

The **optical measuring software OMS** is easy to use and solves all required measurements in a flexible way.

Outstanding ergonomical features:



Integrated display with optimized view angle in the base.



The coarse- and fine-focus is placed at a easy to reach height in the base.



The illumination controls are positioned ergonomical at the left side.



Light spot to indicate the current measuring position (activated for a short time during stage movement)

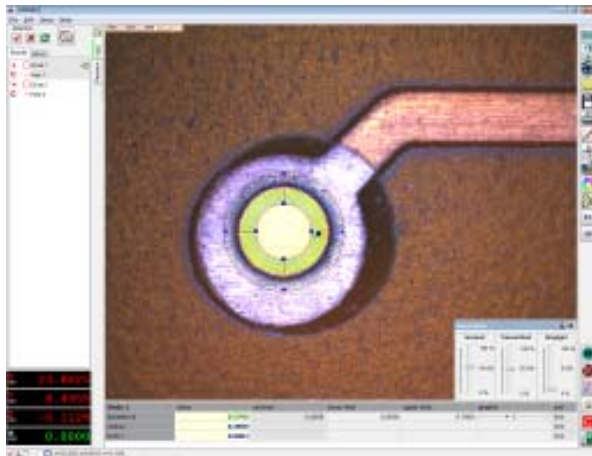




The optical measurement software OMS

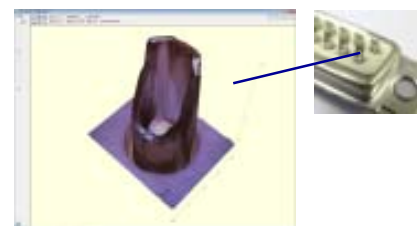
The measuring microscope **VMS ergo** is equipped with the flexible, easy-to-learn measuring software for two dimensional measurements of primary samples and small batches, for use in laboratories or production areas.

OMS is available in english or german language.



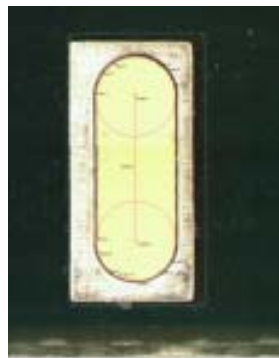
- Immediate result display in a text protocol.

- Easy in programming of measuring sequences by teach-in mode and additionally the possibility of automated edge findings.
- Simple manual placement of the measuring points in the video image via the mouse.
- Element-related combination of geometric elements in a list view.
- Graphical part-view and DXF export (measurements in multiple fields of view are stitched together to one large image).



- Multifocus image stacking with 3D-reconstruction and cross-section measurements

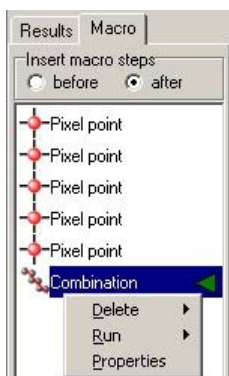
Revision No.: 06



- Intuitively usable tools are available for the automatic edge detection of point, line, circle and circle sector.



- Rectangular-, circle-, grid- and importable screen-masks in vector format are available for the fast visual evaluation.



- Automatic measurement runs by teach-in (macro) for repeated measurements.



- Various functions for calculating or combining already measured geometric elements.



Technical specifications:

Tel. (0 64 41) 8 86 03
 Fax (0 64 41) 8 57 18

Measurement range X/Y: 150 x 100 mm (optional 200 x 100)
Range of movement Z: 150 mm (optional z-measurement)
Resolution: 0.1 µm
Measuring accuracy: 1.8 µm + 0.005 x L µm (measuring length L in mm)
Objective: 2:1 with bayonet mount (1:1, 5:1, 10:1 optional)
Camera VS3: 1" color camera with 2592 x 2048 pixels resolution
Illumination: LED ring-illumination, coaxial transmitted- and incident-illumination with base integrated controls
Weight: approx. 35 kg

www.walteruhl.com

Order No.:

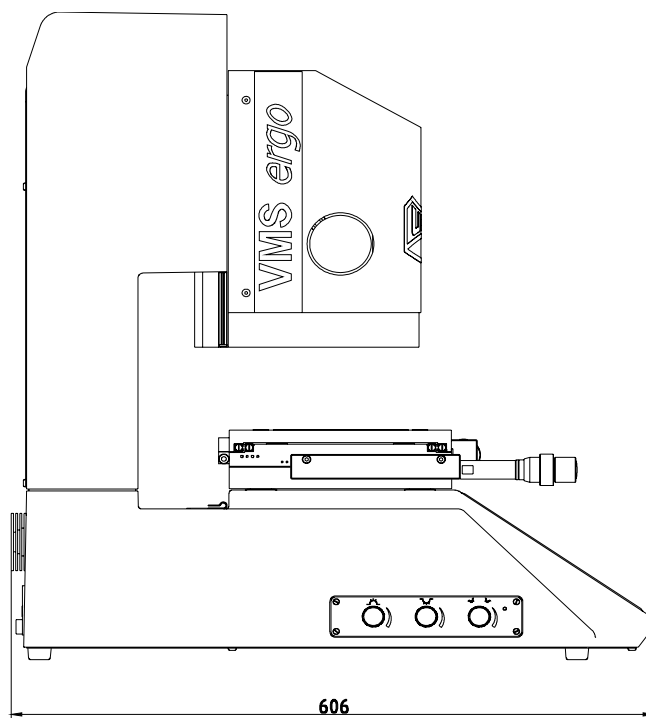
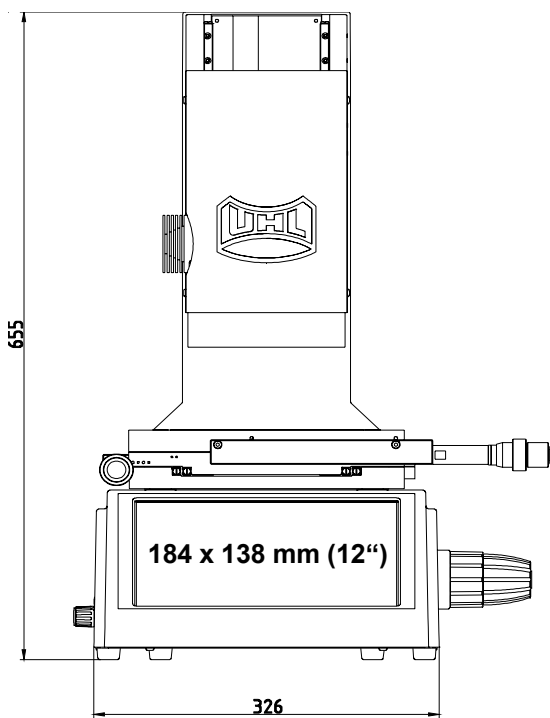
VS3
VS3-X20
VS3-101

Video measuring microscope VMS *ergo* with OMS software
 larger measurement range of 200 x 100
 Measuring system for coordinate direction z

Telecentric measuring objectives, long working distances, bayonet mount

Order-No.	magnification	numerical aperture	working-distance	field of view with 1" camera [mm]	total magnification
OP1-M01	1 : 1	0.03	88	12.4 x 9.8	15x
OP1-M02*	2 : 1	0.06	85	6.2 x 4.9	30x
OP1-M05	5 : 1	0.13	62	2.49 x 1.97	75x
OP1-M10	10 : 1	0.20	52	1.24 x 0.98	150x

* included in the extent of supply



Specifications are about to change without notice!

