
vicolux[®] Telecentric Light - TZB10-B450-P-SL

Short description:	telecentric light, blue, If diameter: 10 mm, smart light
Order number:	1-33-238
EAN:	4251692646984



Characteristics

- flashable telecentric LED lighting - parallel (collimated) beam path
 - for flashing during inspection of moving objects
 - for optical measurement technology for the targeted highlighting of edges and surface structures in transmitted and incident light;
for the detection of inclusions and defects in transparent materials such as gemstones
 - ideal as backlight in combination with telecentric lenses
 - low divergence, high light output
 - safe operation due to vicolux[®] smart light Controller (e.g. DLC3005)
 - connection: M8 plug on the casing
 - diverse attachment options and extensive accessories
-

Technical data

Light-emitting surface	Diameter: 11.5 mm
Light design	Telecentric
Light colour (typ.)	Blue, 450 nm
Special feature	Blitzbar mit Blitzcontroller
Continuous operation	
• Power consumption	max. 2.3 W
• Irradiance ¹	174 W/m ²
• Illuminance ¹	13.3 klx
• Radiance ²	168.3 kW/(m ² sr)
• luminance ²	12.9 Mcd/m ²
Flash mode	
• Power consumption	max. 6.4 W
• Irradiance ¹	7.1 kW/m ²
• Illuminance ¹	546.8 klx
• Radiance ³	1.8 MW/(m ² sr)
• luminance ³	139.5 Mcd/m ²
Housing material	Aluminium, black anodised
Optical material	Glass
Filter thread	-
Weight	98 g
Degree of protection	IP 50
Safety class	Class III, safety extra low voltage (SELV)
Risk group (DIN EN 62471)	Dauerbetrieb: Risikogruppe 3 Blitzbetrieb: Risikogruppe 3
Ambient temperature	0 °C ... 45 °C

1	bei 200 mm Arbeitsabstand
2	bei 11 mrad
3	bei 1.7 mrad

Notices

Die Beleuchtung kann nur in Verbindung mit einem Beleuchtungscontroller oder einer geeigneten Stromquelle betrieben werden.
vicolux® smart light Beleuchtungscontroller begrenzen automatisch die elektrischen Parameter und überwachen die Gerätetemperatur.

Can be combined with

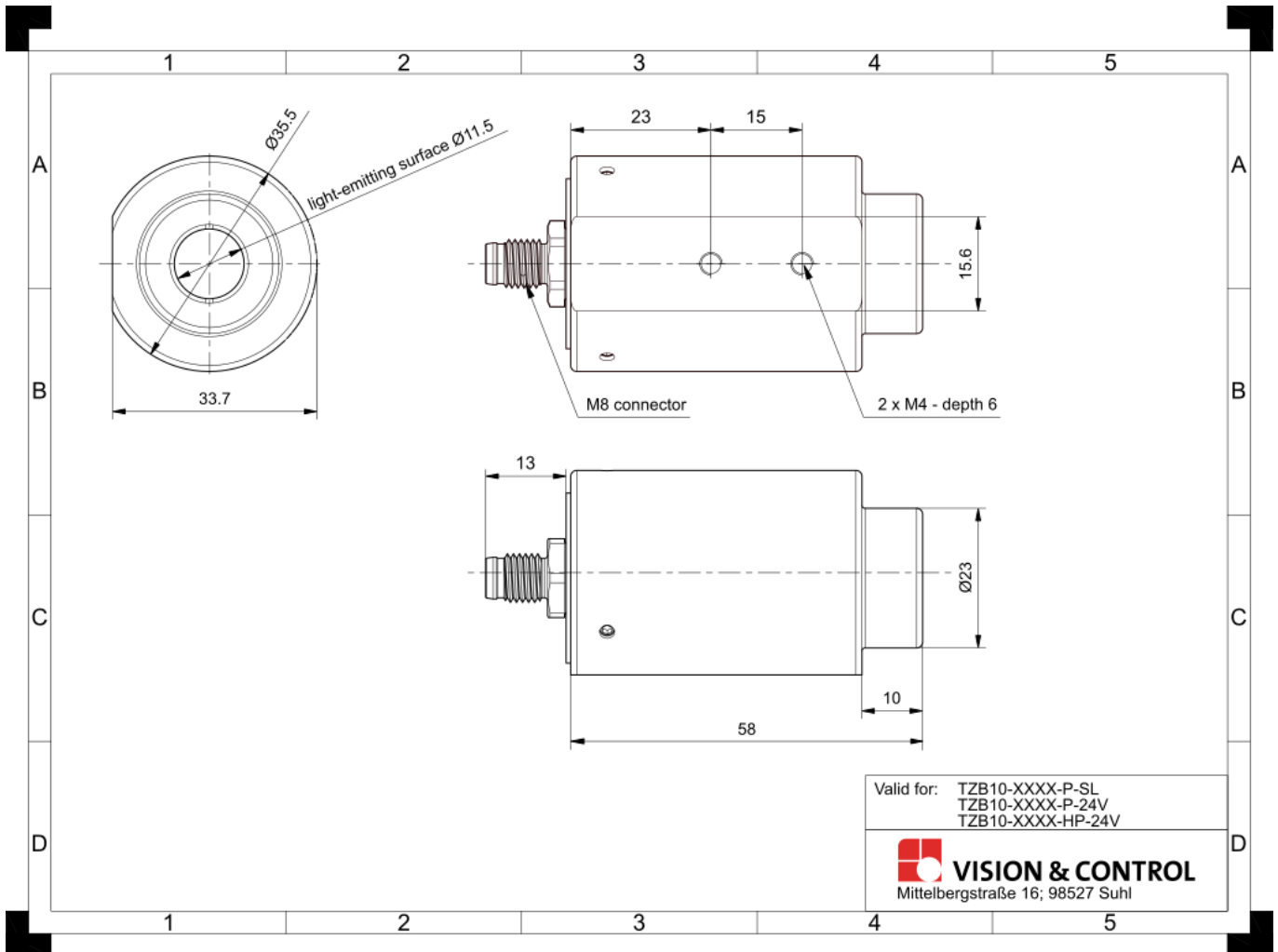
Order number	Title	Description
LED Controller DLC3005		
1-30-202	DLC3005	LED lighting controller, digital, cont./flash current: 4.8A/18A, wall mounting
1-30-209	DLC3005-R	LED lighting controller, digital, cont./flash current: 4.8A/18A, DIN rail mounting

Accessories for Telecentric lights - TZB10-B450-P-SL

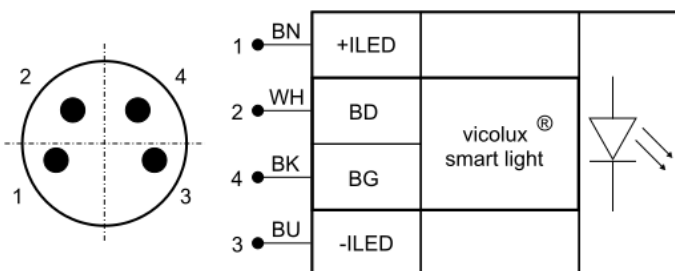
Order number	Title	Description
Lens mount		
2-90-124	Lens Holder d35,5	Holder for telecentric lenses and lightings with d = 35,5 mm
Polarising filters		
2-91-227	Pole filter M30.5x0.5	linear polarizing filter, range 420 nm - 780 nm, filter thread M30.5x0.5
Filter adapter		
2-91-190	Filter adapter d23-M30.5	slip-on adapter for use of a M30.5x0.5 filter on lenses with 23 mm clamping diameter
Deflection mirror 90° series		
2-25-111	Deflection mirror 90-23	90° deflection, attachment for telecentric lenses and lightings with d = 23 mm
Connection cable M8-4pin		
1-11-611	Cable-M8-4p-5A-straight-1m	4x0.5mm ² , 5A, 30V, PUR, IP67, M8-4pin straight socket to free cable end
1-11-612	Cable-M8-4p-5A-straight-2m	4x0.5mm ² , 5A, 30V, PUR, IP67, M8-4pin straight socket to free cable end
1-11-613	Cable-M8-4p-5A-straight-3m	4x0.5mm ² , 5A, 30V, PUR, IP67, M8-4pin straight socket to free cable end
1-11-614	Cable-M8-4p-5A-straight-5m	4x0.5mm ² , 5A, 30V, PUR, IP67, M8-4pin straight socket to free cable end

Order number	Title	Description
1-11-609	Cable-M8-4p-4A-straight-5m	4x0.25mm ² , 4A, 60V, PUR, IP67, M8-4pin straight socket to free cable end
1-11-607	Cable-M8-4p-4A-straight-10m	4x0.25mm ² , 4A, 60V, PUR, IP67, M8-4pin straight socket to free cable end
1-11-605	Cable-M8-4p-4A-angled-2m	4x0.25mm ² , 4A, 60V, PUR, IP67, M8-4pin angled socket to free cable end
1-11-604	Cable-M8-4p-4A-angled-5m	4x0.25mm ² , 4A, 60V, PUR, IP67, M8-4pin angled socket to free cable end
1-11-606	Cable-M8-4p-4A-angled-10m	4x0.25mm ² , 4A, 60V, PUR, IP67, M8-4pin angled socket to free cable end
<i>Extension cable M8-4pin</i>		
1-11-093	Extension cable-M8-4p-5A-0.6m	4x0.5mm ² , 5A, 30V, PUR, IP67, M8-4pin straight socket to M8-4pin straight plug
1-11-094	Extension cable-M8-4p-5A-1.5m	4x0.5mm ² , 5A, 30V, PUR, IP67, M8-4pin straight socket to M8-4pin straight plug
1-11-095	Extension cable-M8-4p-5A-3.0m	4x0.5mm ² , 5A, 30V, PUR, IP67, M8-4pin straight socket to M8-4pin straight plug

Drawings



Dimensional drawing in mm



Pin	Aderfarbe	Signal	Beschreibung
1	BN (braun)	+ILED	LED-Anode, positiver Stromeingang
2	WH (weiß)	BD	Data Channel für vicolux [®] smart light Module ⁽¹⁾
4	BK (schwarz)	BG	Data Channel für vicolux [®] smart light Module ⁽¹⁾
3	BU (blau)	-ILED	LED-Kathode, negativer Stromeingang

⁽¹⁾ Nur in Verbindung mit vicolux[®] smart light Beleuchtungscontrollern verwenden.

Pin assignment: M8 connector