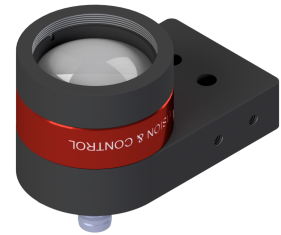

vicolux® Spot Light - SLE-150-B460-P-SL

Short description: compact spot light, blue, P-LED, variable work distance, condenser lens, smart light

Order number: 1-33-300

EAN: 4251692648117



Characteristics

- flashable high-power LED spot illumination with condenser optics
 - compact, thermally optimized design
 - high light output focused on small beam angle
 - high uniformity in light distribution
 - the pronounced mounting surface enables optimum heat dissipation
 - robust, without movable adjustment elements
 - the high light intensity as well as the optical design allow the use also at variable working distance
 - current embossing: Continuous operation and high-speed flash operation with 1µs pulse duration
 - safe operation with vicolux® digital lighting controller (e.g. DLC3005)
 - developed for the requirements of industrial image processing
-

Technical data

Beam angle	40°
Luminous field diameter ¹	150 mm
Light colour (typ.)	Blue, 460 nm
Special feature	Flashable with flash controller
Continuous operation	
• Power consumption	2.9 W
• Irradiance ¹	29.9 W/m ²
• Illuminance ¹	1.5 klx
• Radiance ²	188.7 kW/m ² sr
• Luminance ²	9.7 Mcd/m ²
Flash mode	
• Power consumption	17.5 W
• Irradiance ¹	105.1 W/m ²
• Illuminance ¹	4.9 klx
• Radiance ³	624.4 kW/m ² sr
• Luminance ³	29.2 Mcd/m ²
Housing material	Aluminium, black anodised
Optical material	Glass
Filter thread	M28 x 0.5
Weight	68.5 g
Degree of protection	IP 50
Safety class	Class III, safety extra low voltage (SELV)
Risk group (DIN EN 62471)	Continuous operation: Risk group 2 Flash mode: Risk group 2
Ambient temperature	-10 °C bis +45 °C

¹ at 200 mm working distance

² at 11 mrad

² at 1.7 mrad

Notices

The lighting can only be operated in conjunction with a lighting controller or a suitable current source.

vicolux[®] smart light lighting controllers limit the electrical parameters automatically and also monitor the temperature of the device.

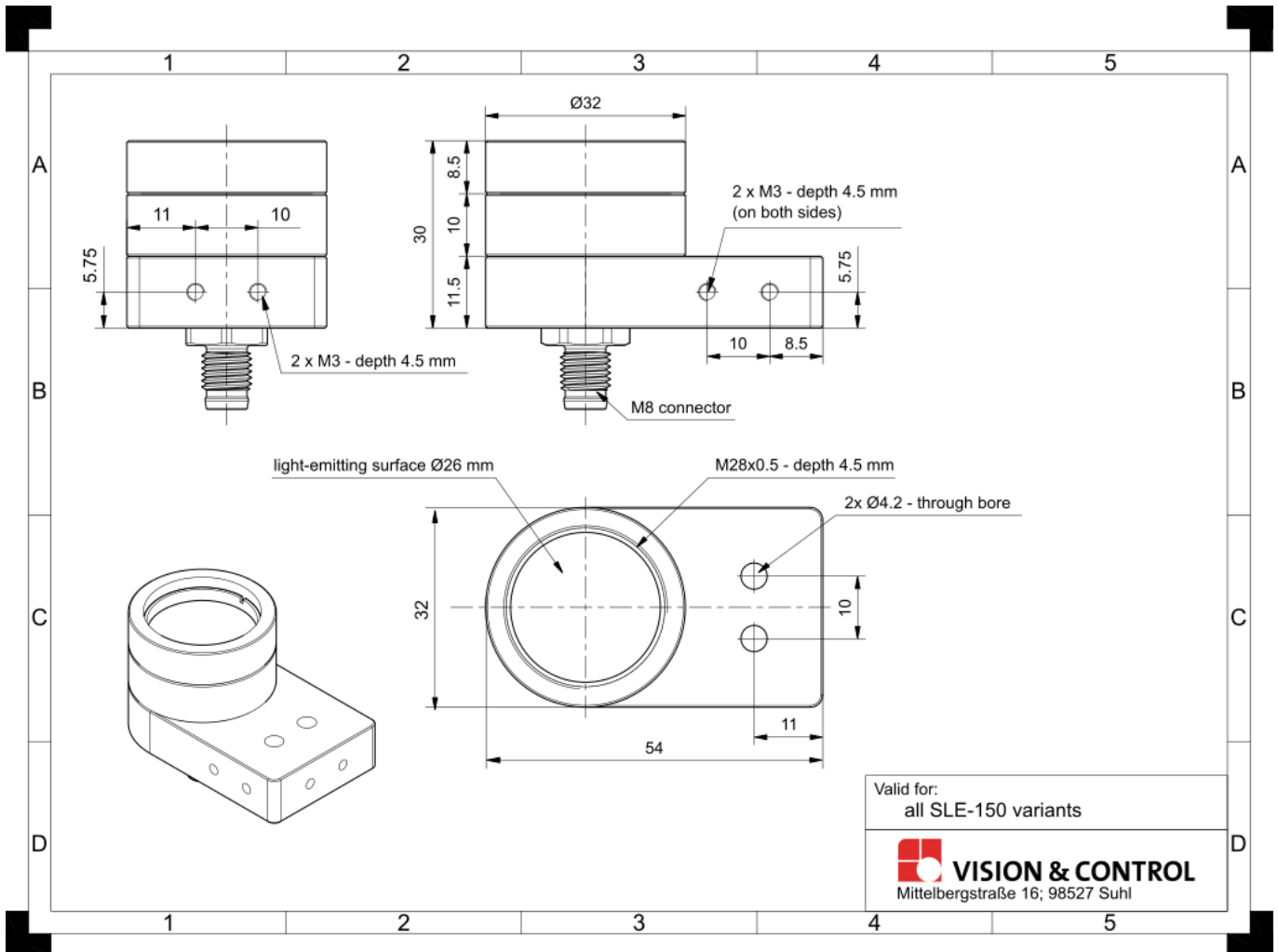
Can be combined with

Order number	Title	Description
LED Controller DLC3005		
1-30-202	DLC3005	LED lighting controller, digital, cont./flash current: 4.8A/18A, wall mounting
1-30-209	DLC3005-R	LED lighting controller, digital, cont./flash current: 4.8A/18A, DIN rail mounting

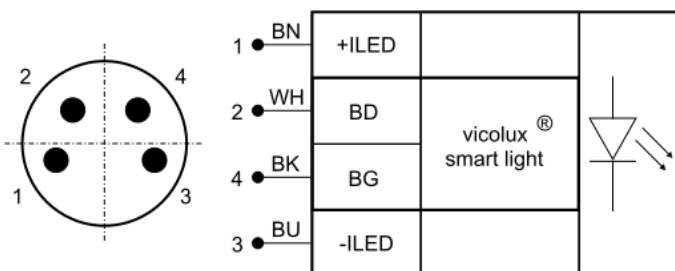
Accessories for Spot lights - SLE-150-B460-P-SL

Order number	Title	Description
Connection cable M8-4pin		
1-11-611	Cable-M8-4p-5A-straight-1m	4x0.5mm ² , 5A, 30V, PUR, IP67, M8-4pin straight socket to free cable end
1-11-612	Cable-M8-4p-5A-straight-2m	4x0.5mm ² , 5A, 30V, PUR, IP67, M8-4pin straight socket to free cable end
1-11-613	Cable-M8-4p-5A-straight-3m	4x0.5mm ² , 5A, 30V, PUR, IP67, M8-4pin straight socket to free cable end
1-11-614	Cable-M8-4p-5A-straight-5m	4x0.5mm ² , 5A, 30V, PUR, IP67, M8-4pin straight socket to free cable end
1-11-609	Cable-M8-4p-4A-straight-5m	4x0.25mm ² , 4A, 60V, PUR, IP67, M8-4pin straight socket to free cable end
1-11-605	Cable-M8-4p-4A-angled-2m	4x0.25mm ² , 4A, 60V, PUR, IP67, M8-4pin angled socket to free cable end
1-11-604	Cable-M8-4p-4A-angled-5m	4x0.25mm ² , 4A, 60V, PUR, IP67, M8-4pin angled socket to free cable end
Extension cable M8-4pin		
1-11-093	Extension cable-M8-4p-5A-0.6m	4x0.5mm ² , 5A, 30V, PUR, IP67, M8-4pin straight socket to M8-4pin straight plug
1-11-094	Extension cable-M8-4p-5A-1.5m	4x0.5mm ² , 5A, 30V, PUR, IP67, M8-4pin straight socket to M8-4pin straight plug
1-11-095	Extension cable-M8-4p-5A-3.0m	4x0.5mm ² , 5A, 30V, PUR, IP67, M8-4pin straight socket to M8-4pin straight plug

Drawings



Dimensional drawing in mm



Pin	Aderfarbe	Signal	Beschreibung
1	BN (braun)	+ILED	LED-Anode, positiver Stromeingang
2	WH (weiß)	BD	Data Channel für vicolux [®] smart light Module ⁽¹⁾
4	BK (schwarz)	BG	Data Channel für vicolux [®] smart light Module ⁽¹⁾
3	BU (blau)	-ILED	LED-Kathode, negativer Stromeingang

⁽¹⁾ Nur in Verbindung mit vicolux[®] smart light Beleuchtungscontrollern verwenden.

Pin assignment: M8 connector