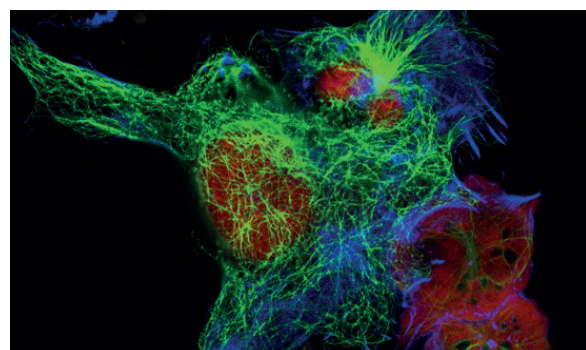
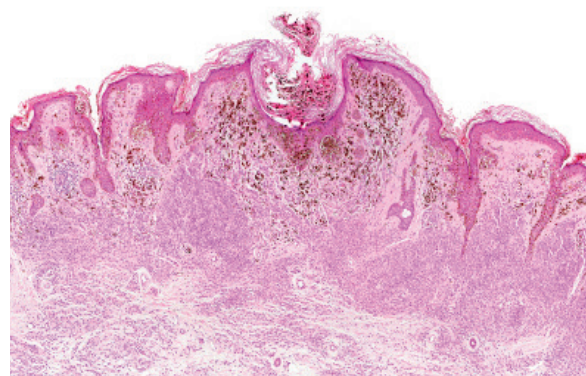


LED LAMP HOUSING FOR MICROSCOPY ||
 COLD LIGHT SOURCE WITH HIGH LIGHT OUTPUT ||
 UPGRADE THE 100 W HALOGEN LAMPS



HIGHLIGHTS

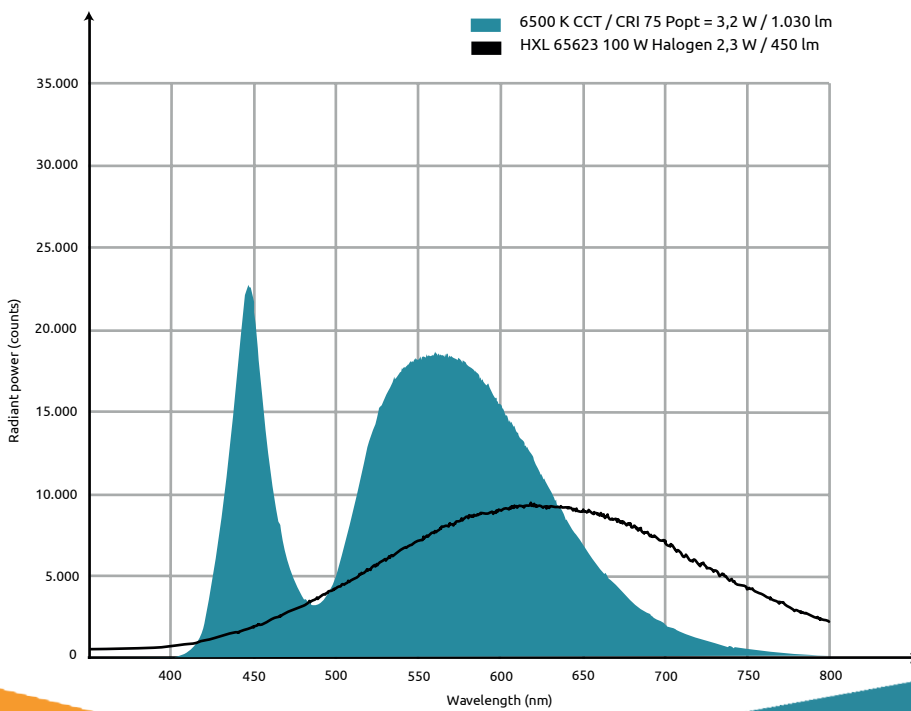
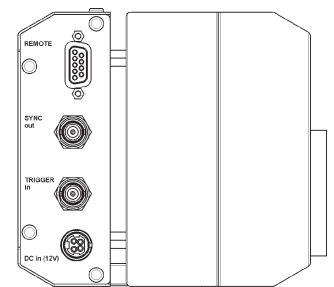
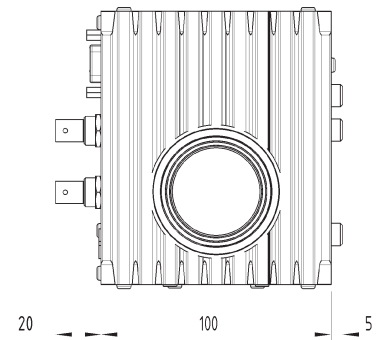
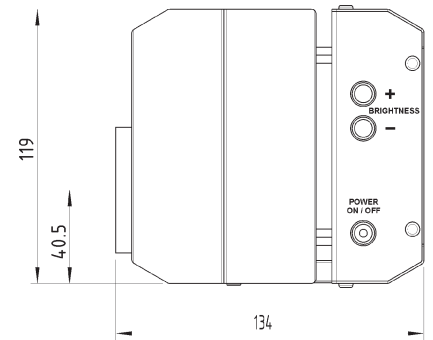
- Start-up time 1 sec.
- Homogeneous illumination
- Replaceable microscope adapters
- White LED, color temperature 6,500 K, monochrome wavelengths selectable
- Long life over 50,000 h
- No fan, no vibration, noiseless cooling
- Shutter & flash function up to 26 kHz
- Flicker-free light thanks to optimized low-loss electronics
- Highest || Reliable processing quality
- No light guide required

ENVIRONMENT & SAFETY

Advantages:

- Without mercury
- Long lifetime
- No special waste
- Operational cost saving up to 80%
- No lamp replacement

Features	
Trigger	Frequency max. 26 kHz, switching time approx. 40 µs
Dimming	Electronic, 200 steps 0,2 ... 100% 0,2 up to 30 % PWM 30 up to 100 % analogue
Safety	Over-temperature protection
Interfaces	Remotecontroller USB- or CAN-Bus-Interface optional analogue control voltage
Collimator + adapter	Zeiss, Leica, Nikon, Olympus
Specifications	
Mains voltage	12 VDC ± 5 %, external power supply 100 up to 240 VAC, 50 up to 60 Hz
Power input	Max. 50 VA
Dimensions	
Width x height x depth	120 mm x 125 mm x 140 mm
Weight	2,0 kg
Order	
Scope of delivery	LH-LED 100, power supply, manual
Accessory	Remote controller



Contact:

+49 3641 35 30-10
sales@lej.de

www.lej.de