
vicolux® Dome Light - D-CLR-60x18-B450-P-SL

Short description: dome light, blue, P-LED, If diam.: 60 mm,
camera-view: 18 mm, smart light

Order number: 1-32-702

EAN: 4251692650103



Characteristics

- very flat, power LED dome light
 - extremely diffuse, shadow-free illumination
 - safe operation due to vicolux® smart light Controller (e.g. DLC3005)
 - connection: M8 plug on the casing
 - metal casing
 - multiple mounting options
-

Technical data

Luminous field	Aussen Ø 60 mm, Innen Ø 18 mm
Light colour	Blue, 450 nm
Special feature	Blitzbar mit Blitzcontroller
Degree of protection	IP67
Safety class	III, operation on protective low voltage
Risk group	Risk group 0 (exempt group)
Ambient temperature	-10°C to +55°C
Housing material	Aluminium anodised
Weight	170 g
Continuous operation	
• Power consumption	15.0 W
• Irradiance	830 W/m ²
Flash mode	
• Power consumption	15.0 W
• Irradiance	3700 W/m ²

Can be combined with

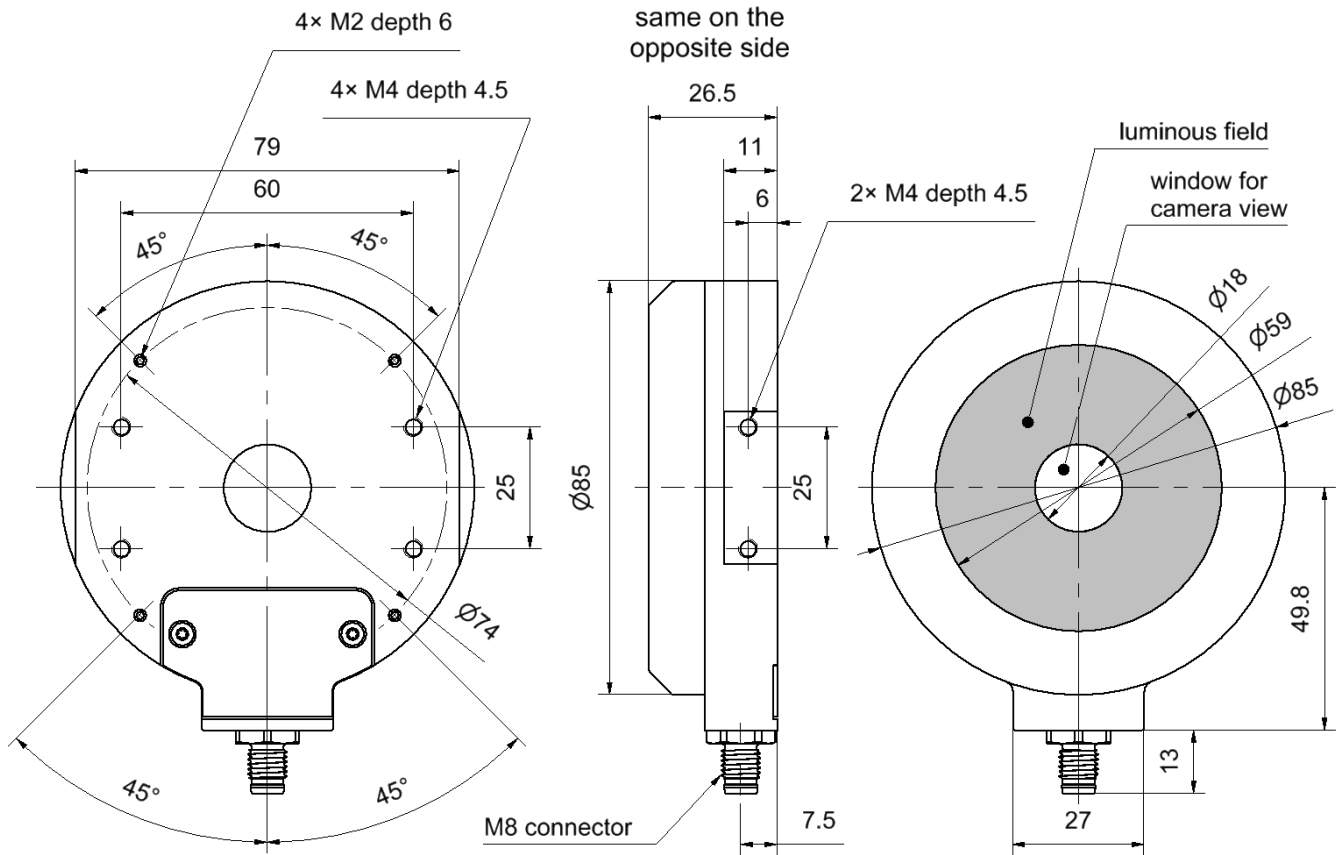
Order number	Title	Description
LED Controller DLC3005		
1-30-202	DLC3005	LED lighting controller, digital, cont./flash current: 4.8A/18A, wall mounting
1-30-209	DLC3005-R	LED lighting controller, digital, cont./flash current: 4.8A/18A, DIN rail mounting

Accessories for Dome lights - D-CLR-60x18-B450-P-SL

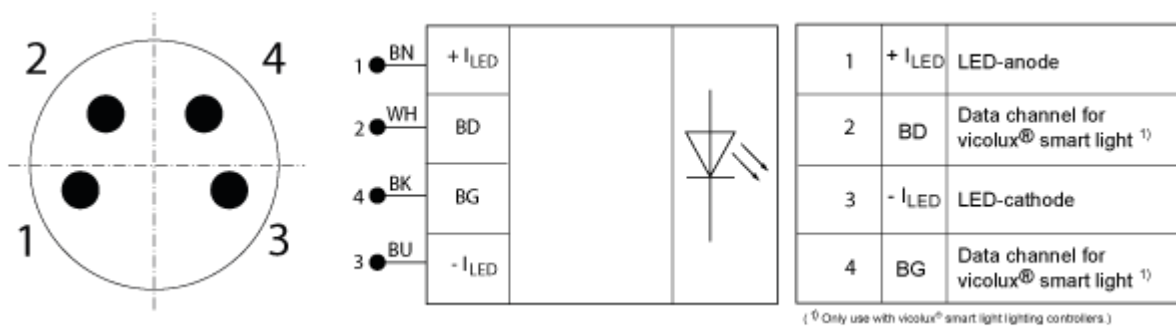
Order number	Title	Description
Beam splitter STE30x30		
1-32-250	Adapter STE30x30 - SFD, D-CRL	Attachment of the STE30x30 to SFD30/9 and D-CRL-60x18 and also SFD42/12 and D-CRL-84x24
Connection cable M8-4pin		
1-11-611	Cable-M8-4p-5A-straight-1m	4x0.5mm ² , 5A, 30V, PUR, IP67, M8-4pin straight socket to free cable end
1-11-612	Cable-M8-4p-5A-straight-2m	4x0.5mm ² , 5A, 30V, PUR, IP67, M8-4pin straight socket to free cable end
1-11-613	Cable-M8-4p-5A-straight-3m	4x0.5mm ² , 5A, 30V, PUR, IP67, M8-4pin straight socket to free cable end
1-11-614	Cable-M8-4p-5A-straight-5m	4x0.5mm ² , 5A, 30V, PUR, IP67, M8-4pin straight socket to free cable end
1-11-609	Cable-M8-4p-4A-straight-5m	4x0.25mm ² , 4A, 60V, PUR, IP67, M8-4pin straight socket to free cable end
1-11-605	Cable-M8-4p-4A-angled-2m	4x0.25mm ² , 4A, 60V, PUR, IP67, M8-4pin angled socket to free cable end
1-11-604	Cable-M8-4p-4A-angled-5m	4x0.25mm ² , 4A, 60V, PUR, IP67, M8-4pin angled socket to free cable end
Extension cable M8-4pin		
1-11-093	Extension cable-M8-4p-5A-0.6m	4x0.5mm ² , 5A, 30V, PUR, IP67, M8-4pin straight socket to M8-4pin straight plug

Order number	Title	Description
1-11-094	Extension cable-M8-4p-5A-1.5m	4x0.5mm ² , 5A, 30V, PUR, IP67, M8-4pin straight socket to M8-4pin straight plug
1-11-095	Extension cable-M8-4p-5A-3.0m	4x0.5mm ² , 5A, 30V, PUR, IP67, M8-4pin straight socket to M8-4pin straight plug

Drawings



Dimensional drawing in mm



Pin assignments, M8 connector